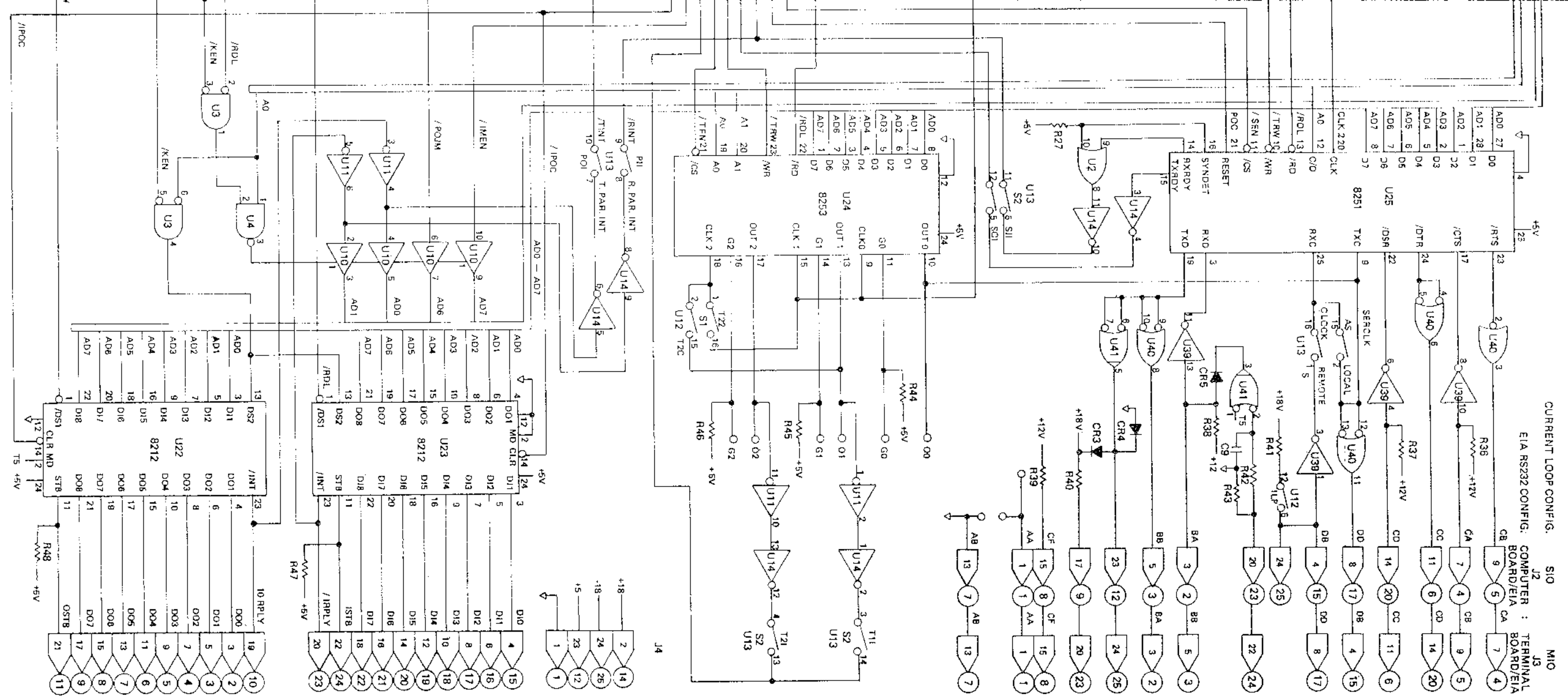


REVISIONS

LTR	DESCRIPTION	DATE	APPROVED



U1	74LS00	U39	75189	
U4	74LS00	U40	75188	
U8		U41	75452	
U2	74LS32			
U3	74LS02			
U5	74LS08			
U29				
U6	74LS11			
U7	8111A-4			
U8				
U9	FIRMWARE PROM SOCKET			
U10	8T97			
U32-U36				
U11				
U17	74LS04			
U28				
U30				
U12	S1			
U13	S2			
U14	74LS05			
U15				
U16	74LS195			
U19	74LS155			
U20	8085			
U21-U23	8212			
U24	8253-2			
U25	8251A			
U26	74LS109			
U27	74LS74			
U31	3622			
U37	74LS367			
U38	74S288			

TOLERANCES UNLESS OTHERWISE SPECIFIED		FRACTIONS DEC. ANGLES	
±	±	±	±
APPROVALS	DATE	MPU-B REV. 1.2	
DRAWN		SCHEMATIC	
CHECKED	SCALE	SIZE	DRAWING NO.
		<b>B</b>	
	DO NOT SCALE DRAWING		
			SHEET